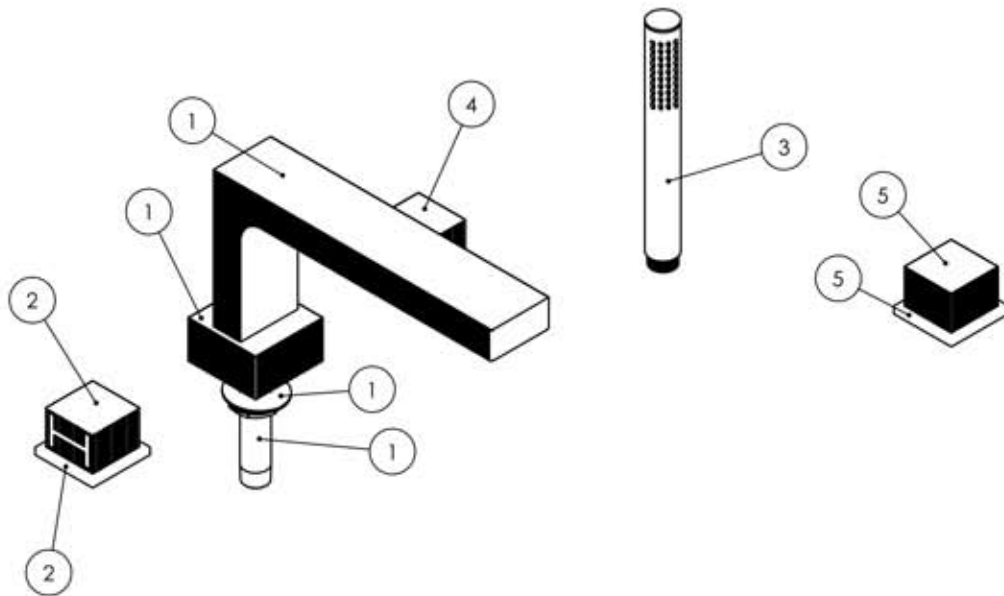


ITEM NO.	PART NUMBER	DESCRIPTION	QTY.
1	3-107/00	ASSY, SPOUT ROMAN TUB RIBBED LOW	1
	10951/00	SPOUT, DECK TUB 291 STRIA	1
	11224/00	ESCUTCHEON, SPOUT STRIA SERIES	1
	10987	NIPPLE 1/2" NPT TO NPSM	1
	92158	DOWEL PIN, 1/8" X 3/8"L	2
	92175	NUT, MOUNT 1/2" NPS	1
	92174	WASHER MOUNT WIDESPREAD (3/8")	1
	90131	O-RING, 1-11/16ID X 3/32THK, AS-568-131	1
	11220	SPUD SCREW, 1/2"-NPSM CONNECTOR	1
	P05051	AERATOR, CACHE COINED SLOT M24X1.0 FULL FLOW	1
2	3-110/00	ASSY, HANDLE RIBBED CUBE HOT	1
	10937/00	ESCUTCHEON, HANDLE EDGE SERIES	1

ITEM NO.	PART NUMBER	DESCRIPTION	QTY.
	10931/00	HANDLE, "H" SQUARE/CUBE EDGE SERIES	1
	92176	WEAR WASHER	1
	92005	SET SCREW, CUP PT 6-32UNC THREAD 3/16"L	1
	92008	SET SCREW, CUP POINT 8-32	1
3	P15028/00	ROUND HANDSHOWER	1
	P15028_1	CYLINDER HAND HELD SHOWER BODY	1
	P15028_2	CYLINDER HAND HELD SHOWER CAP	1
	90528	O-RING, METRIC 15MM ID X 1.0MM THK.	1
	P15028_5	HAND HELD SHOWER FACE	1
	P15028_3	CYLINDER HAND HELD SHOWER INSERT	1
	P15028_6	HAND HELD SHOWER NIPPLE	1
	90011	O-RING, 5/16"ID X 7/16"OD X 1/16"THK, AS-568-011	2
	P15028_4	RETAINING INSERT	1
	P15028_7	HAND HELD SHOWER NIPPLE ADAPTOR	1
4	3-111/00	ASSY, HANDLE RIBBED CUBE COLD	1
	10937/00	ESCUTCHEON, HANDLE EDGE SERIES	1
	10930/00	HANDLE, "C" SQUARE/CUBE EDGE SERIES	1
	92176	WEAR WASHER	1
	92005	SET SCREW, CUP PT 6-32UNC THREAD 3/16"L	1
	92008	SET SCREW, CUP POINT 8-32	1
5	3-131/00	HANDLE CUBE 291 EDGE SERIES, NO LETTER	1
	10937/00	ESCUTCHEON, HANDLE EDGE SERIES	1
	11013/00	HANDLE, SQUARE/CUBE NO LETTER, EDGE SERIES	1
	92176	WEAR WASHER	1
	92005	SET SCREW, CUP PT 6-32UNC THREAD 3/16"L	1
	92008	SET SCREW, CUP POINT 8-32	1



PRELIMINARY PRINT
FOR DEVELOPMENT USE ONLY
DRAWING SUBJECT TO CHANGE
WITHOUT NOTICE

ZONE	REV.	DESCRIPTION	DATE	APPROVED
REVISIONS				
PHYL RICH Defining Luxury Since 1959				
1261 LOGAN AVENUE COSTA MESA, CALIFORNIA 92626 PHONE: 714.361.4800 FAX: 714.617.3120				
PROPRIETARY AND CONFIDENTIAL THE INFORMATION CONTAINED IN THIS DRAWING IS THE SOLE PROPERTY OF RSS MANUFACTURING. ANY REPRODUCTION IN PART OR AS A WHOLE WITHOUT THE WRITTEN PERMISSION OF RSS MANUFACTURING IS PROHIBITED.				

INTERPRET GEOMETRIC DIMENSIONING & TOLERANCING IN ACCORDANCE WITH ASME Y14.5-2009 & ASME Y14.41-2003 STANDARDS. UNLESS OTHERWISE SPECIFIED, DIMENSIONS ARE IN INCHES. TOLERANCES ARE:	FRACTIONS ±1/64"		DECIMALS X.X: ±.1 X.XX: ±.01 X.XXX: ±.005		ANGULAR ±.5°	
NEXT ASSY	USED ON		APPLICATION		MATERIAL	
FINISH		DRAWN	CA	DATE		11/27/2013
CHECKED		MAF		SCALE: 1:8		WEIGHT: lbs.

DECK HAND SHOWER KIT, CUBE HANDLE, STRIA SERIES

SIZE	ASM/PRT NO.	REV
A	291-51/00	
SCALE: 1:8		SHEET 1 OF 2